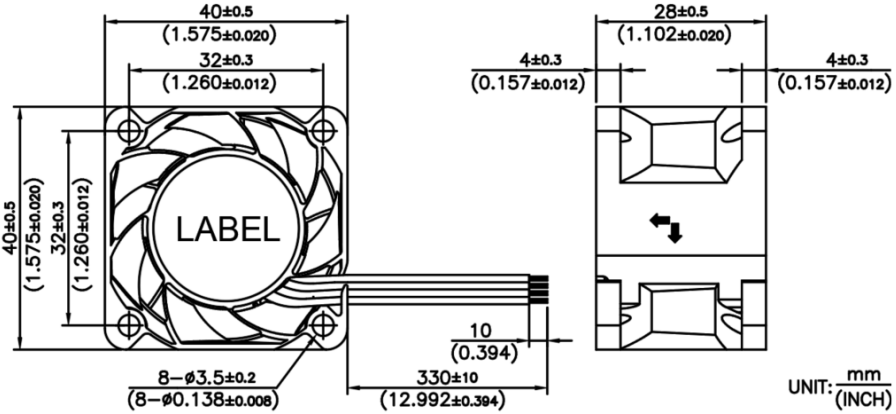
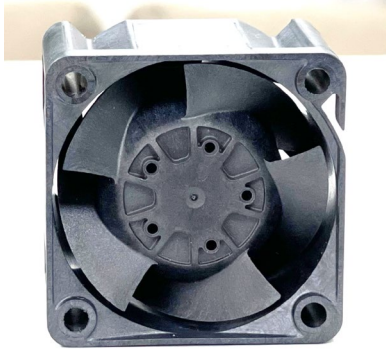


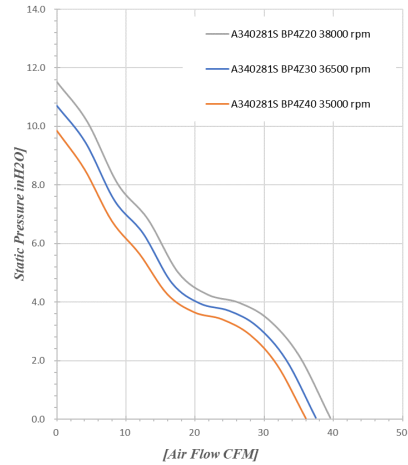
iCloud Fan 40*40*28 MM

Low Vibration High Pressure Series

DIMENSION DRAWING



- Housing : Plastic (UL 94V-0)
- Impeller : Plastic (UL 94V-0)
- Bearing : Ball bearing
- Lead Wires : UL10368 AWG26 OR Equivalent
- Mass : 52g

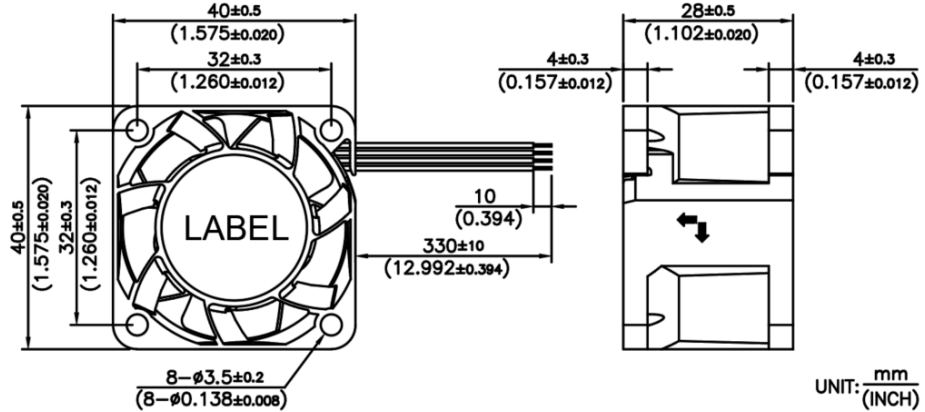
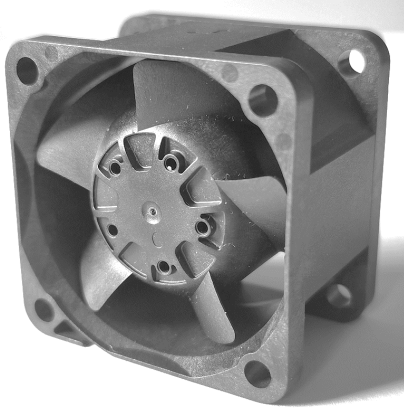


Model No.	Control Type	Bearing Type	Voltage	Operating Voltage Range	Speed	Current	Power	Airflow		Pressure		Noise
			V	VDC	R.P.M	A	W	CFM	m3/min	inH ₂ O	mmH ₂ O	dB(A)
A340281S	BP4Z20	+/-FG/PWM	12	10.8~13.2	38000	3.86	46.3	39.52	1.10	11.5	292.8	72.5
A340281S	BP4Z30	+/-FG/PWM	12	10.8~13.2	36500	3.26	39.1	37.42	1.04	10.7	272.1	71.6
A340281S	BP4Z40	+/-FG/PWM	12	10.8~13.2	35000	2.96	35.5	35.97	0.99	9.8	250.1	70.7

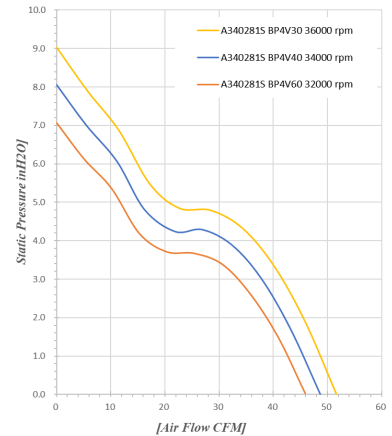
iCloud Fan 40*40*28 MM

Low Vibration High Air Flow Series

DIMENSION DRAWING



Housing : Plastic (UL 94V-0)
 Impeller : Plastic (UL 94V-0)
 Bearing : Ball bearing
 Lead Wires : UL10368 AWG26 OR Equivalent
 Mass : 52g

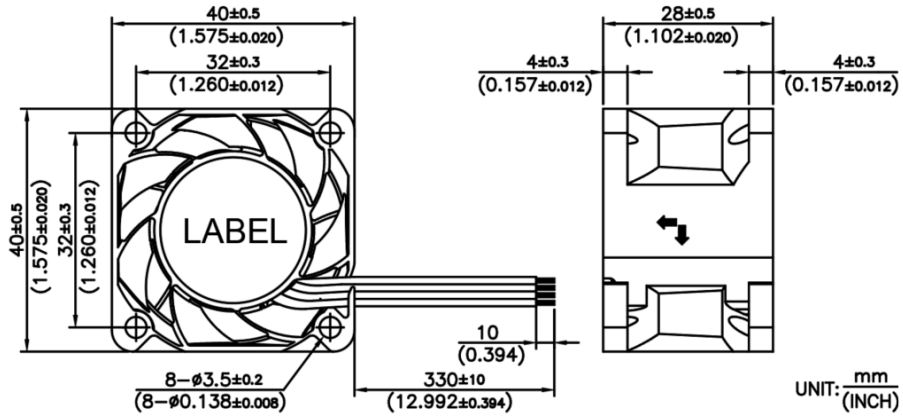
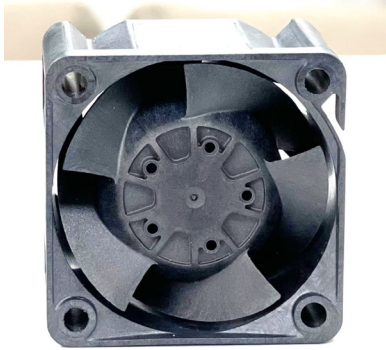


Model No.	Control Type	Bearing Type	Voltage	Operating Voltage Range	Speed	Current	Power	Airflow		Pressure		Noise	
			V	VDC	R.P.M	A	W	CFM	m ³ /min	inH ₂ O	mmH ₂ O	dB(A)	
A340281S	BP4V30	+/-FG/PWM	BALL	12	10.8~13.2	36000	4.88	58.5	51.7	1.46	9.4	238.9	72.1
A340281S	BP4V40	+/-FG/PWM	BALL	12	10.8~13.2	34000	4.10	49.3	48.7	1.38	8.1	204.7	70.9
A340281S	BP4V60	+/-FG/PWM	BALL	12	10.8~13.2	32000	3.38	40.6	45.9	1.30	7.1	179.8	69.5

iCloud Fan 40*40*28 MM

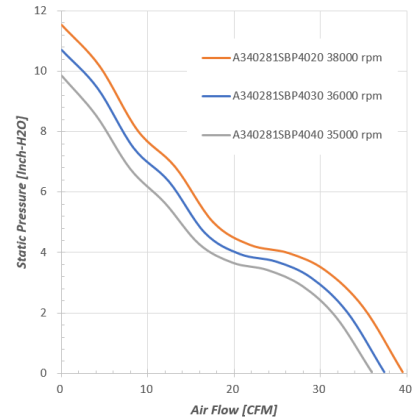
Super Speed High Pressure Series

DIMENSION DRAWING



UNIT: $\frac{\text{mm}}{(\text{INCH})}$

- Housing : Plastic (UL 94V-0)
- Impeller : Plastic (UL 94V-0)
- Bearing : Ball bearing
- Lead Wires : UL10368 AWG26 OR Equivalent
- Mass : 52g

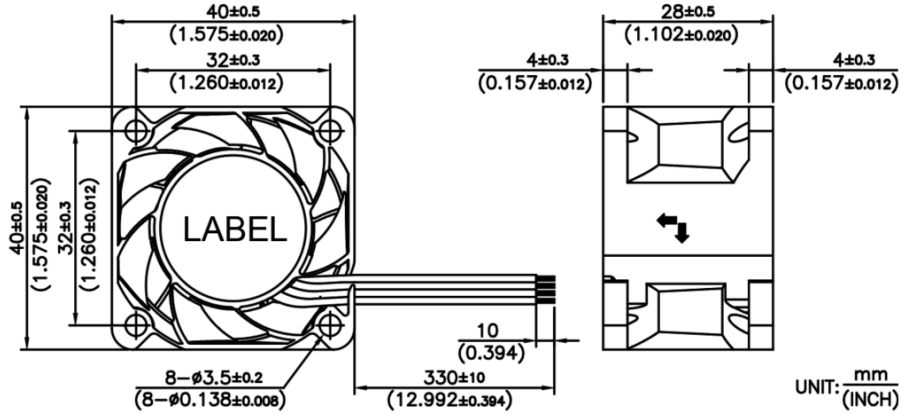


Model No.		Voltage		Operating Voltage Range	Speed	Current	Power	Air Flow		Air Pressure		Noise
		V	VDC					CFM	m3/min	inH2O	mmH2O	
A340281S	BP4020	12	10.8~13.2	38000	3.86	46.3	39.5	1.10	11.53	290.7	72.5	
A340281S	BP4030	12	10.8~13.2	36500	3.26	39.1	37.4	1.04	10.71	261.2	71.6	
A340281S	BP4040	12	10.8~13.2	35000	2.96	35.5	36.0	0.99	9.85	234.4	70.7	

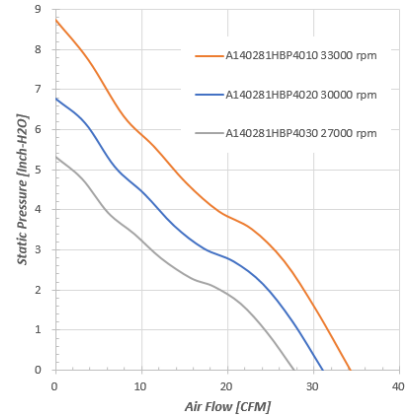
iCloud Fan 40*40*28 MM

High Speed High Pressure Series

DIMENSION DRAWING



Housing : Plastic (UL 94V-0)
 Impeller : Plastic (UL 94V-0)
 Bearing : Ball bearing
 Lead Wires : UL10368 AWG26 OR Equivalent
 Mass : 52g

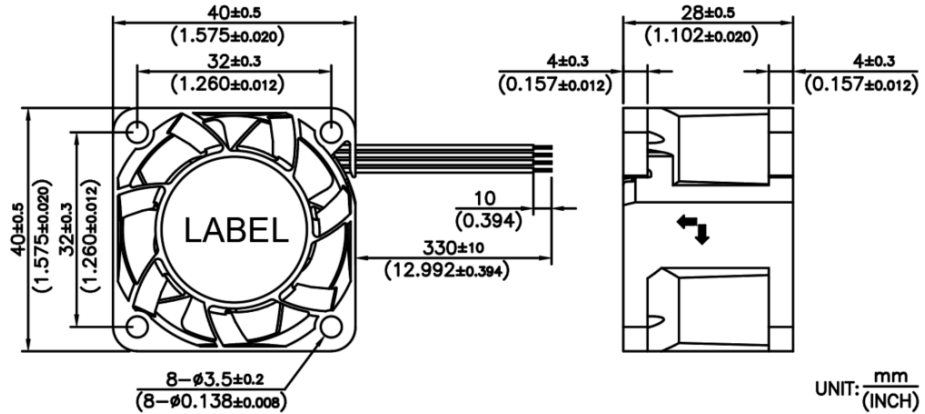
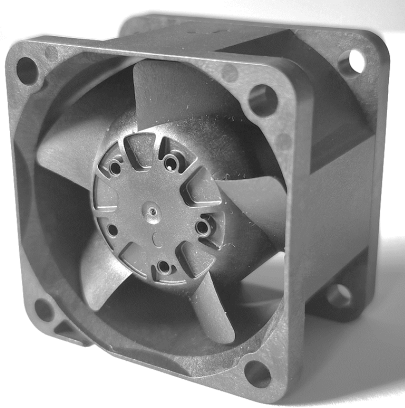


Model No.		Bearing Type	Voltage		Operating Voltage Range	Speed	Current	Power	Airflow		Pressure		Noise
			V	VDC					CFM	m3/min	inH2O	mmH2O	
A140281H	BP4010	BALL	12	6.5~13.2	33000	3.56	42.7	34.26	0.95	8.8	222.3	69.4	
A140281H	BP4020	BALL	12	6.5~13.2	30000	2.51	30.1	31.04	0.92	6.8	171.8	67.4	
A140281H	BP4030	BALL	12	6.5~13.2	27000	1.85	22.1	27.79	0.78	5.3	135.5	65.6	

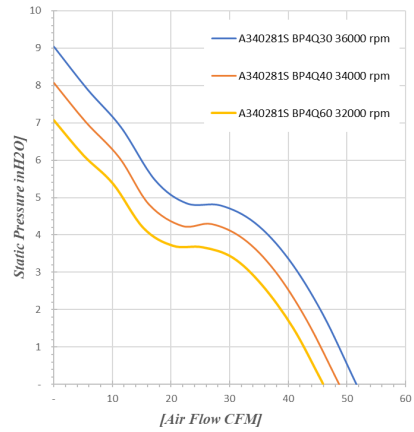
iCloud Fan 40*40*28 MM

Super Speed High Air Flow Series

DIMENSION DRAWING



- Housing : Plastic (UL 94V-0)
- Impeller : Plastic (UL 94V-0)
- Bearing : Ball bearing
- Lead Wires : UL10368 AWG26 OR Equivalent
- Mass : 52g

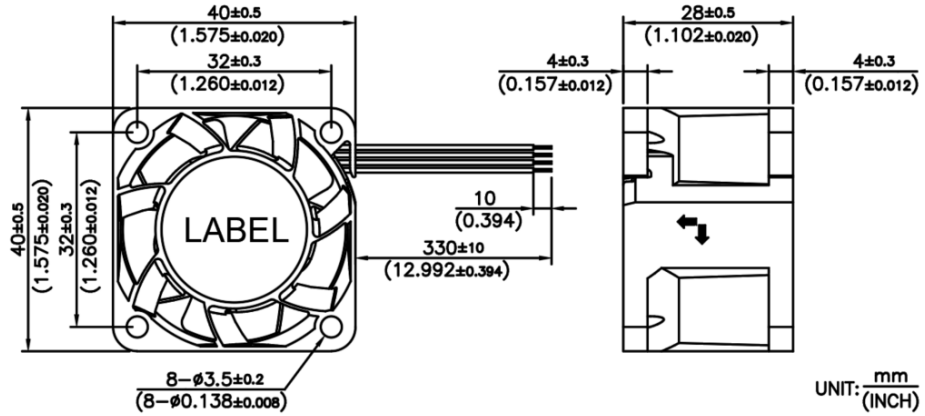
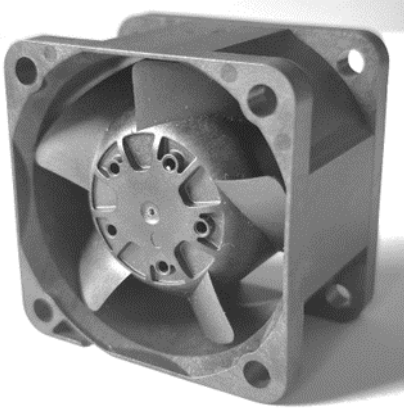


Model No.	Control Type	Bearing Type	Voltage	Operating Voltage Range	Speed	Current	Power	Airflow		Pressure		Noise	
			V	VDC	R.P.M	A	W	CFM	m3/min	inH2O	mmH2O	dB(A)	
A340281S	BP4Q30	+/-FG/PWM	BALL	12	10.8~13.2	36000	4.88	58.5	51.7	1.46	9.4	238.9	72.1
A340281S	BP4Q40	+/-FG/PWM	BALL	12	10.8~13.2	34000	4.10	49.3	48.7	1.38	8.1	204.7	70.9
A340281S	BP4Q60	+/-FG/PWM	BALL	12	10.8~13.2	32000	3.38	40.6	45.9	1.30	7.1	179.8	69.5

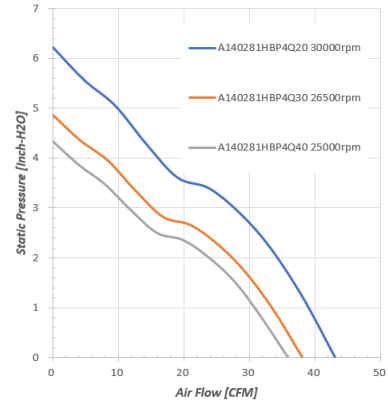
iCloud Fan 40*40*28 MM

High Speed High Air Flow Series

DIMENSION DRAWING



- Housing : Plastic (UL 94V-0)
- Impeller : Plastic (UL 94V-0)
- Bearing : Ball bearing
- Lead Wires : UL10368 AWG26 OR Equivalent
- Mass : 52g

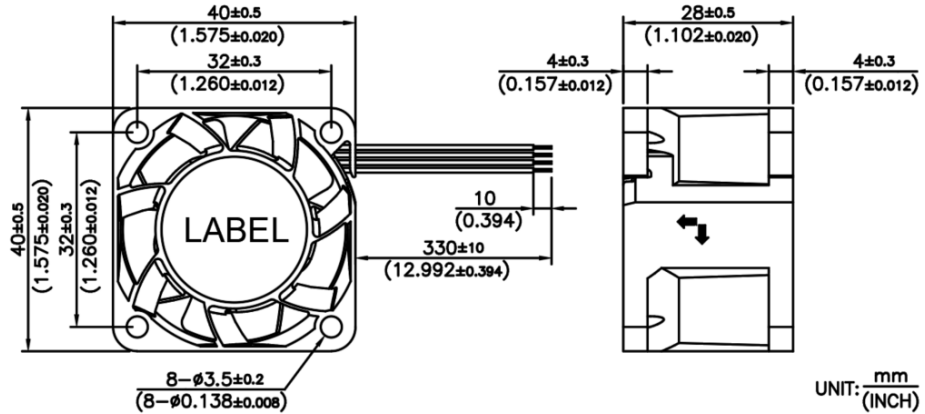
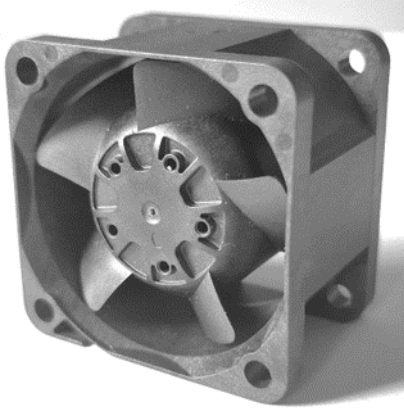


Model No.		Voltage	Operating Voltage Range	Speed	Current	Power	Air Flow		Air Pressure		Noise
		V	VDC	R.P.M	A	W	CFM	m3/min	inH2O	mmH2O	dB(A)
A140281H	BP4Q20	12	6.5~13.2	30000	3.10	37.2	43.0	1.22	6.22	158.0	68.1
A140281H	BP4Q30	12	6.5~13.2	26500	2.05	24.6	38.0	1.08	4.85	123.3	67.1
A140281H	BP4Q40	12	6.5~13.2	25000	1.72	20.7	35.8	1.01	4.34	110.2	65.9

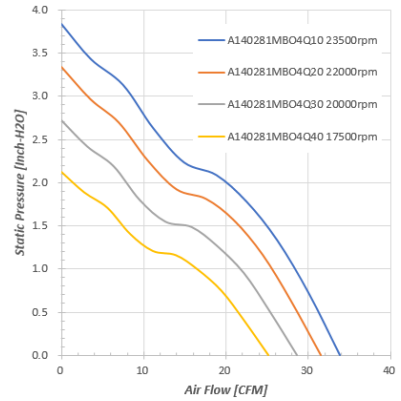
iCloud Fan 40*40*28 MM

Middle Speed High Air Flow Series

DIMENSION DRAWING



- Housing : Plastic (UL 94V-0)
- Impeller : Plastic (UL 94V-0)
- Bearing : Ball bearing
- Lead Wires : UL10368 AWG26 OR Equivalent
- Mass : 52g

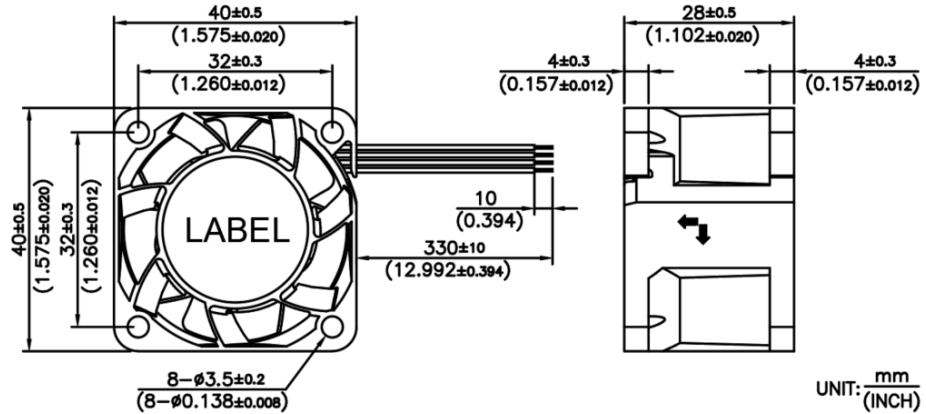
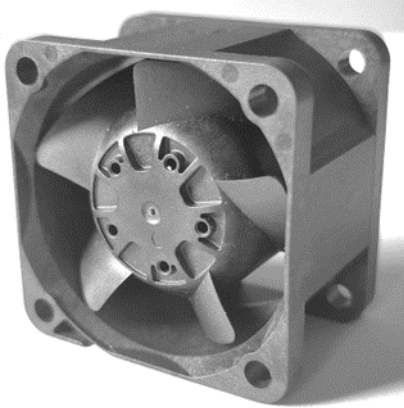


Model No.		Voltage	Operating Voltage Range	Speed	Current	Power	Air Flow		Air Pressure		Noise
		V	VDC	R.P.M	A	W	CFM	m3/min	inH2O	mmH2O	dB(A)
A140281M	BO4Q10	12	6.5~13.2	23500	1.48	17.8	33.8	0.96	3.84	97.5	64.5
A140281M	BO4Q20	12	6.5~13.2	22000	1.19	14.3	31.5	0.89	3.34	84.7	63.0
A140281M	BO4Q30	12	6.5~13.2	20000	0.88	10.6	28.6	0.81	2.72	69.2	61.4
A140281M	BO4Q40	12	6.5~13.2	17500	0.61	7.3	25.2	0.71	2.13	54.1	59.0

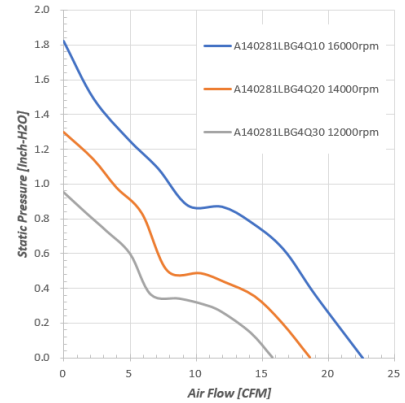
iCloud Fan 40*40*28 MM

Low Speed High Air Flow Series

DIMENSION DRAWING



- Housing : Plastic (UL 94V-0)
- Impeller : Plastic (UL 94V-0)
- Bearing : Ball bearing
- Lead Wires : UL10368 AWG26 OR Equivalent
- Mass : 52g



Model No.		Voltage	Operating Voltage Range	Speed	Current	Power	Air Flow		Air Pressure		Noise
		V	VDC	R.P.M	A	W	CFM	m3/min	inH2O	mmH2O	dB(A)
A140281L	BG4Q10	12	6.5~13.2	16000	0.48	5.7	22.6	0.64	1.82	46.2	53.2
A140281L	BG4Q20	12	6.5~13.2	14000	0.32	3.9	18.6	0.53	1.30	32.9	52.4
A140281L	BG4Q30	12	6.5~13.2	12000	0.23	2.7	15.8	0.45	0.95	24.2	51.1